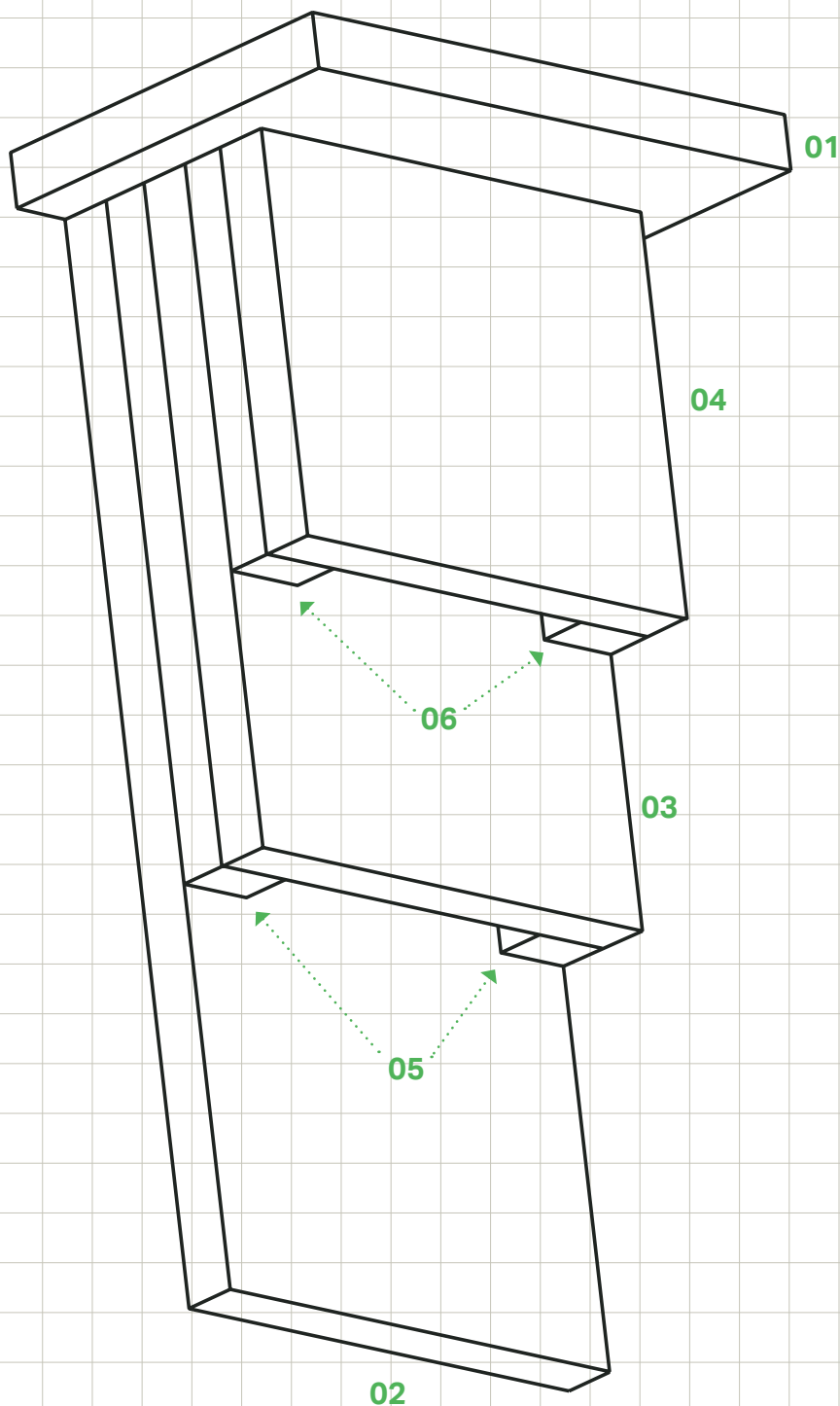


Kent Bat Box

Design Measurements



01
Roof
250x160x20mm

02
Back
450x200x20mm

03
Centre
330x200x20mm

04
Front
210x200x20mm

05
Centre Rails x2
330x20x20mm

06
Front Rails x2
210x15x15mm